



DRAGONFIRE®

ASSEMBLY INSTRUCTIONS & USER'S MANUAL



DRAGONFIREPIT.COM

Connect with us @DRAGONFIREPIT

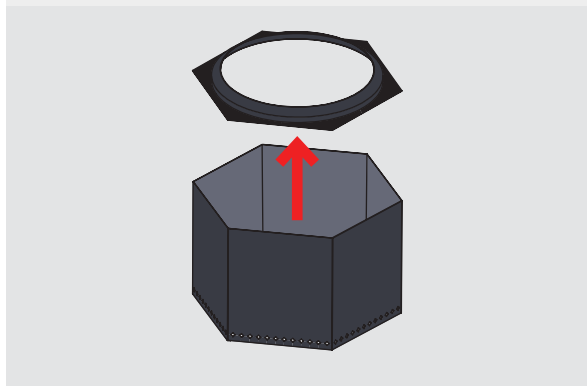


HOW TO USE YOUR FIRE PIT

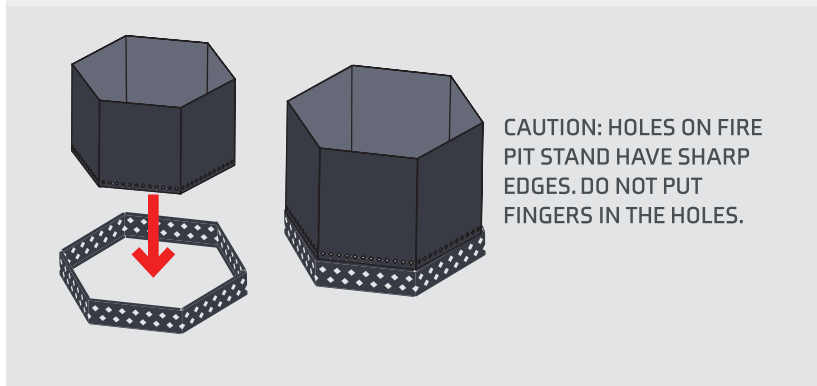
When first lighting the fire it will smoke until the fire is hot enough and the air from the double wall starts to push the smoke into the flames. Since smoke is a fuel, it then ignites the smoke making the fire pit virtually smokeless, but no fire is actually smokeless. If you use wet or green wood it will be much harder to make the firepit smokeless so use dry hardwood for best use.

DO NOT USE THE DRAGONFIRE® FIRE PIT ON A DECK THAT IS MADE OF COMBUSTIBLE MATERIALS.

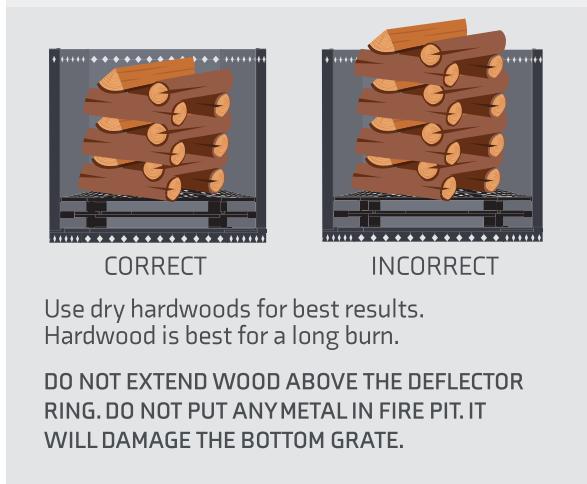
1 Remove the deflector ring from the dual wall fire pit.



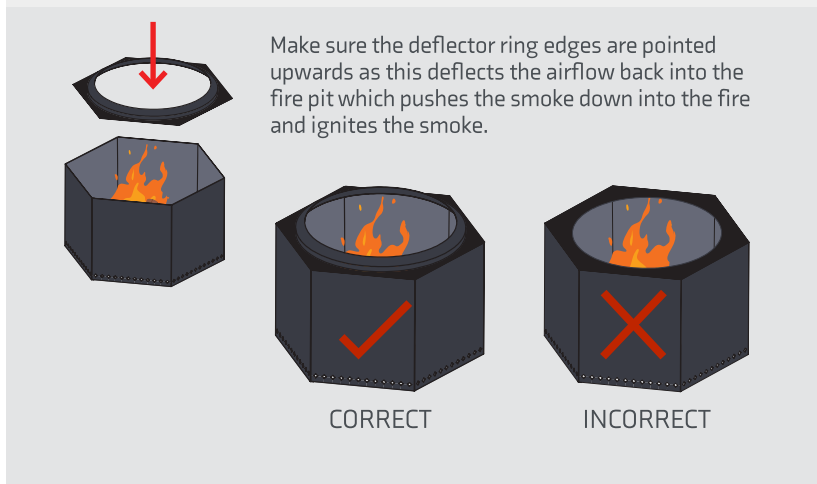
2 Take the fire pit stand and place it on an even surface. Center the fire pit on top of the stand.



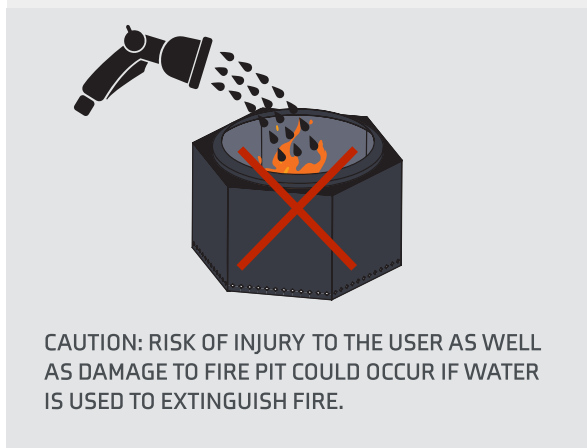
3 Place fuel in the center of fire pit. Start with small kindling twigs or fire starters.



4 Light your fire starters and reattach the deflector ring back on top of the fire pit in the correct position.



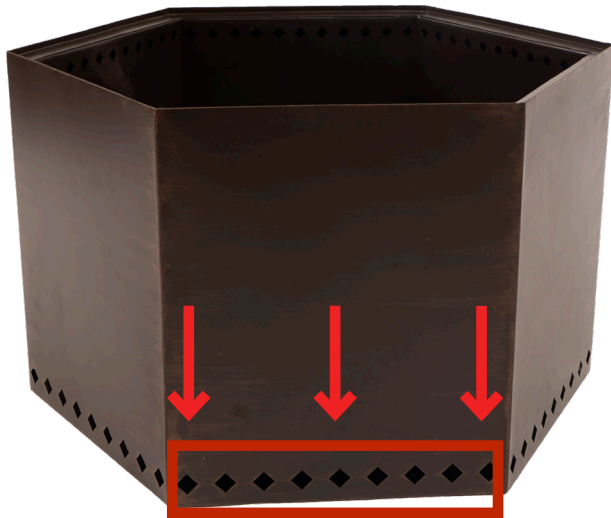
5 When done, let fire burn out on its own. DO NOT EXTINGUISH FIRE WITH WATER.



6 Once cooled, turn fire pit over to clean out ash and residue. For a deep clean, wipe down fire pit with a soft cloth.



DO NOT USE PRODUCT UNTIL YOU HAVE READ ALL USER WARNINGS AND OPERATING INSTRUCTIONS. IF INSTRUCTIONS ARE NOT FOLLOWED EXACTLY SERIOUS INJURY, DEATH, AND/OR PROPERTY DAMAGE MAY OCCUR.



TIPS FOR PROPER USAGE

Do not cover holes at the bottom of fire pit while trying to light fire in pit. Having these holes covered could prevent circulation and proper functioning.

To avoid this make sure you are using your Dragonfire® fire pit on a level surface. Always use fire pit stand.

STORING AND CARING FOR YOUR FIRE PIT

Properly storing and cleaning the Dragonfire® fire pit will extend its usability and look.

It is important to keep your Dragonfire® fire pit covered when it is not in use to protect from weather. Exposure to moisture may lead to stains and/or rust.

Before storing the Dragonfire® fire pit always make sure...

1. IT IS COMPLETELY COOL

Do not touch coals or ash to see if still warm.

2. ASH AND RESIDUE IS CLEANED OUT

Do not use scouring pads to wipe down fire pit. only use a soft cloth.

3. COVER IS PLACED ON FIRE PIT



Warning and safety instructions that appear in this instruction manual are not meant to cover all situations and conditions that may occur while using your Dragonfire® fire pit. When using your Dragonfire® fire pit the same precautions should be followed as with any use of open fire.

LOCAL, STATE, AND NATIONAL CODES SHOULD ALWAYS BE FOLLOWED WHEN USING THE DRAGONFIRE® FIRE PIT. FOR MORE DETAILS CONTACT YOUR LOCAL FIRE DEPARTMENT.

USER WARNINGS

- Do not use the fire pit for indoor heating. Asphyxiation and possible death can occur from the accumulation of poisonous carbon monoxide.
- Do not put any aluminum, copper, or any metal in the firepit. It will damage it.
- Risk of injury to the user as well as damage to fire pit could occur if water is used to extinguish the fire.
- Do not touch or move the Dragonfire® fire pit while in use. The surface is extremely hot and can cause burns and/or serious injury. Wait until the fire pit is completely out and cooled down to handle fire pit.
- When lighting fire or when the fire pit is in use do not lean over the Dragonfire® fire pit.
- Keep fire pit away from electrical cords.
- Dragonfire® fire pits are designed for use with standard firewood logs and may not function properly with other fuel sources.
- Do not leave the Dragonfire® fire pit unattended.
- Never change or modify the Dragonfire® fire pit from its original form.
- Consumer's ability to operate the Dragonfire® fire pit safely may be impaired when alcohol, prescription, or non-prescription drugs are in use.
- Use Dragonfire® fire pit on an even non-combustible surface. Use with hazard on wood or composite decks.
- When using the fire pit avoid breathing in smoke from the fire and getting smoke into your eyes.
- Commercial use for Dragonfire® fire pits is not allowed.
- Do not use fire pit near automobiles, recreational vehicles, trucks, or vans.
- Do not use or store combustible materials, gasoline, or any flammable liquids near fire pit.
- While the fire pit is in use, never store or use LP gas cylinders within 30 feet of the fire pit.
- Do not use the Dragonfire® fire pit under or close to any overhanging trees or shrubs. Do not use fire pit under any overhead or near any unprotected combustible constructions.
- Avoid using fire pit when windy outside.
- When operating the fire pit do not wear flammable or loose clothing.
- When lighting or relighting fire pit, do not use gasoline, kerosene, diesel fuel, lighter fluid, alcohol, or any other flammable liquid.

CHILD SAFETY

- Children should not operate or be unattended with the Dragonfire® fire pit.
- Children should never be allowed to sit or stand in Dragonfire® fire pit as they could become seriously injured or burned.

CLEANING SAFETY

- After each use the Dragonfire® fire pit should be cleaned and examined regularly.
- Do not touch coals or ash to see if they're still warm. Wait until coals and ash are completely extinguished and the fire pit has completely cooled to remove or clean any coals and ash from the Dragonfire® fire pit.
- Wait until all fire, coals, and ashes are completely extinguished and the fire pit has completely cooled to store or move your Dragonfire® fire pit.
- Signs of damage and creosote buildup may appear after a period of non-use of the Dragonfire® fire pit. Avoid using the fire pit until the fire pit is cleaned and/or repaired.

FIRE HAZARDS

- Do not use fire pit indoors. Dragonfire® fire pits are for outdoor use only.
- Do not use the fire pit in a boat or a recreational vehicle.